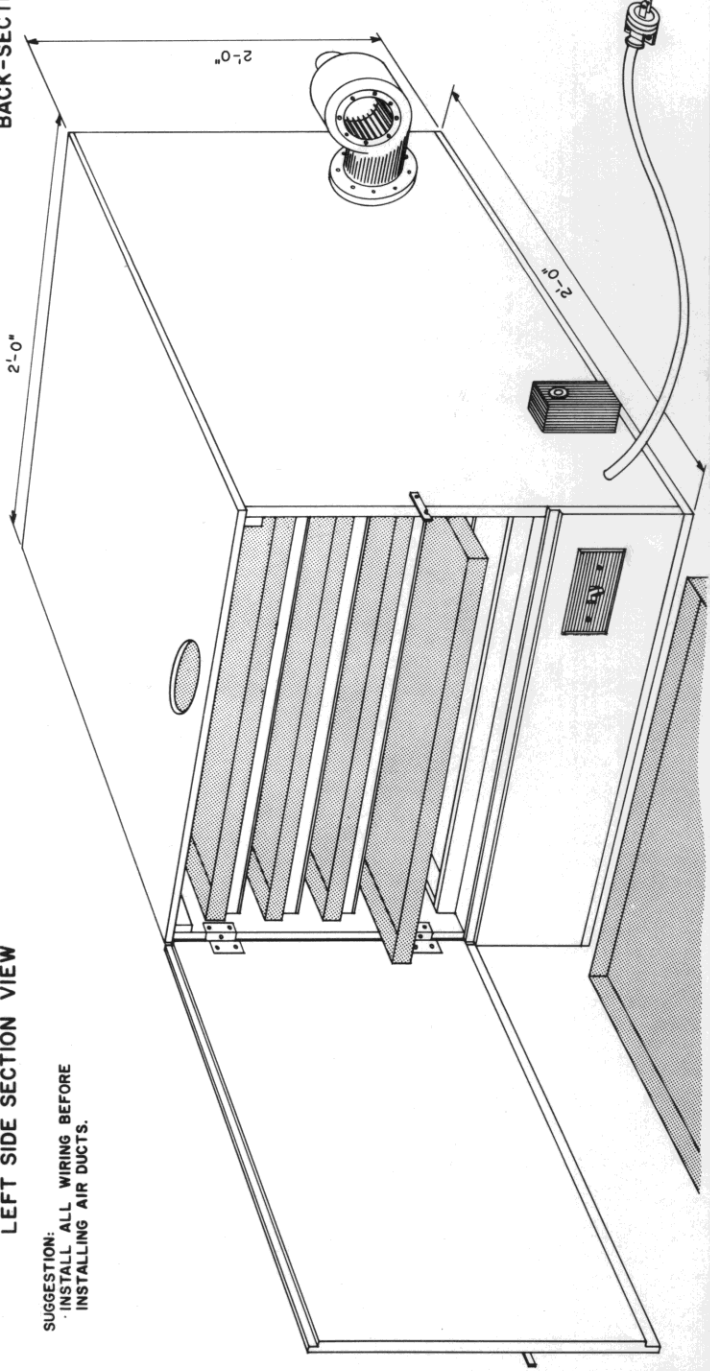


BACK-SECTION VIEW "PLENUM"

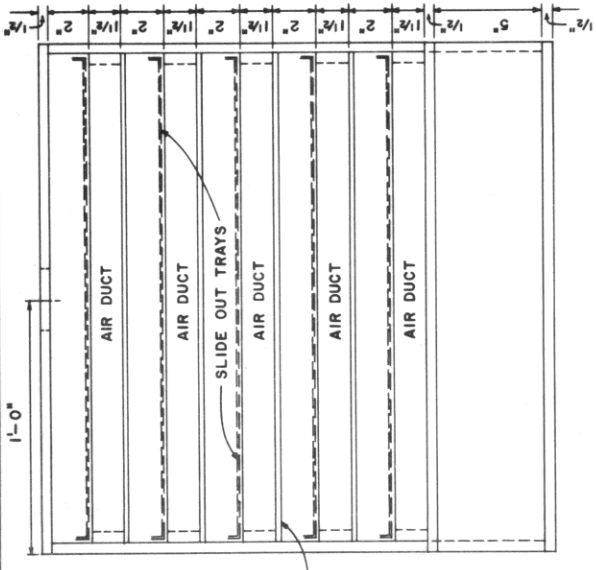
LEFT SIDE SECTION VIEW

SUGGESTION: INSTALL ALL WIRING BEFORE INSTALLING AIR DUCTS.



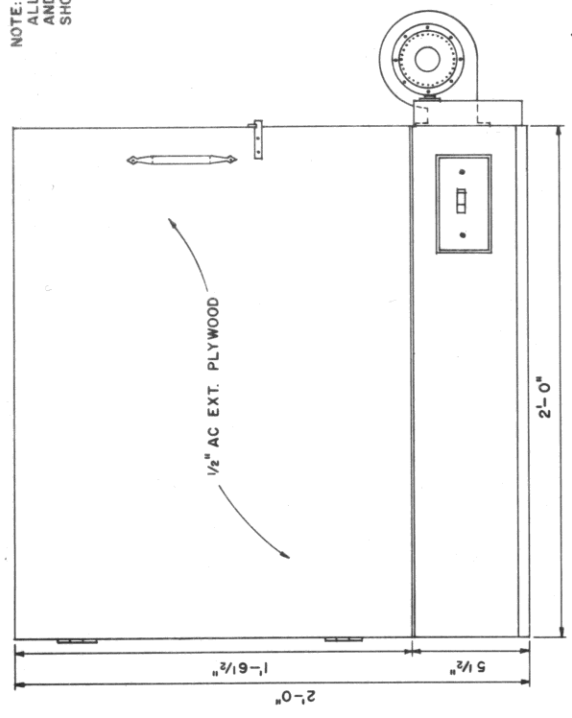
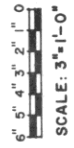
DEVELOPED BY THE FRUIT SUBSTATION, CLARKSVILLE, AND THE AGRICULTURAL ENGINEERING DEPARTMENT, UNIVERSITY OF ARKANSAS, PLAN NO. 731001

COOPERATIVE EXTENSION WORK IN AGRICULTURE AND HOME ECONOMICS	
UNITED STATES DEPARTMENT OF AGRICULTURE COOPERATING	
AND	
FRUIT DRIER	
ARK.	74
6202	SHEET 1 OF 3
TR. 87-1-53	TR. 87-1-5
ONE 8 1/2 x 11 IN. SHEET	DATE: 7/48



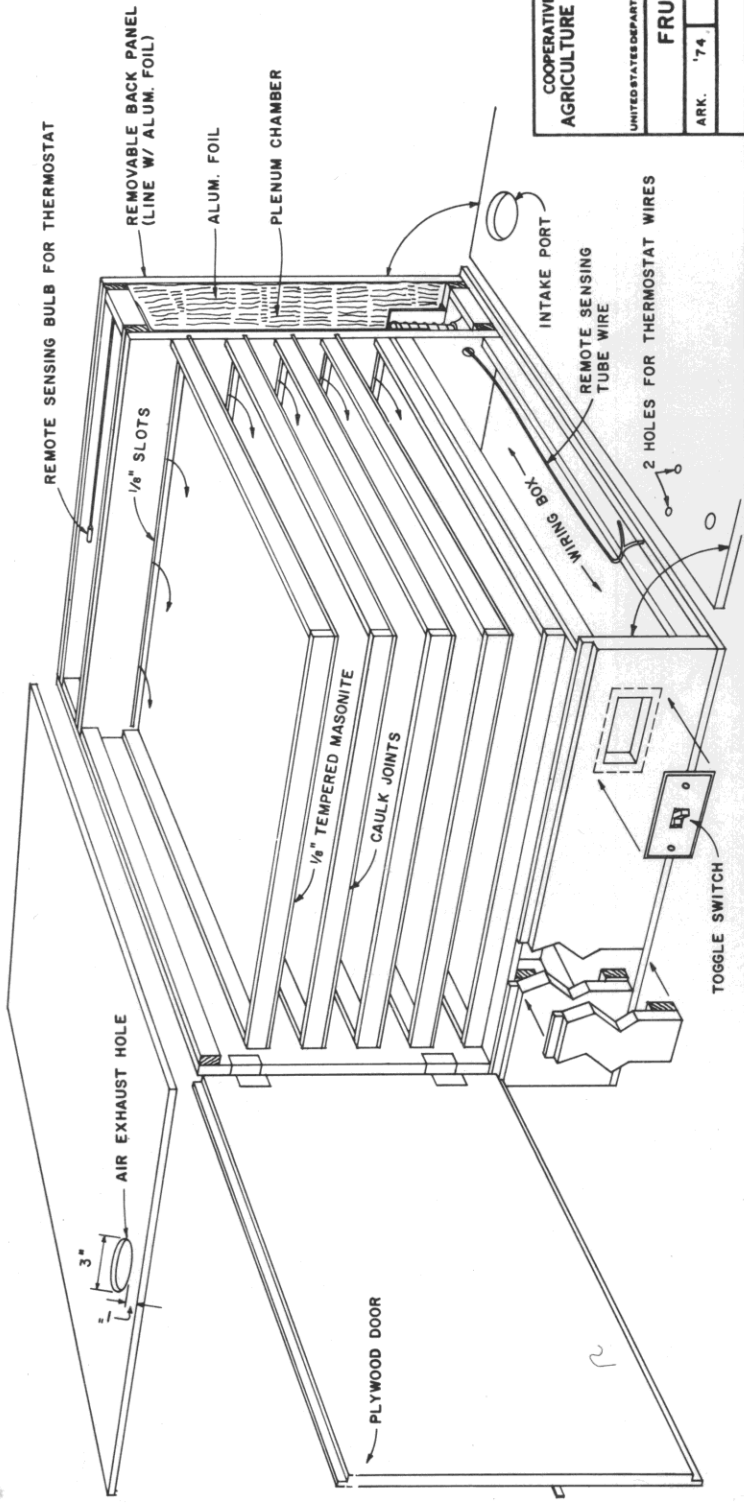
NOTE:
 ALL JOINTS IN AIR DUCTS
 AND PLENUM CHAMBER
 SHOULD BE CAULKED.

1/8" TEMPERED
 MASONITE
 (CAULK JOINTS)



FRONT VIEW

FRONT—"DOOR REMOVED"

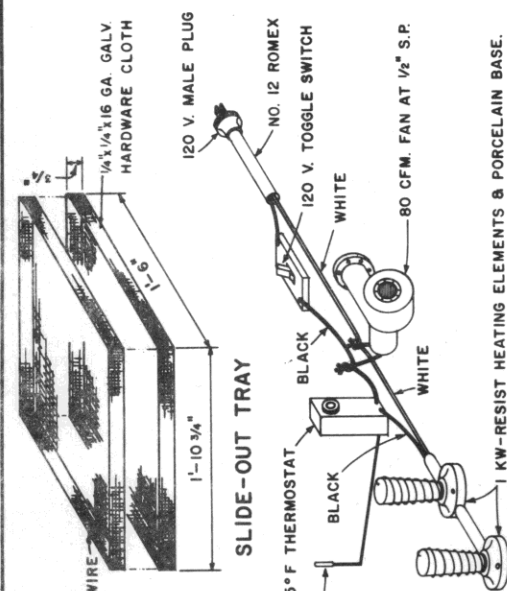


FRUIT DRYING PROCEDURE

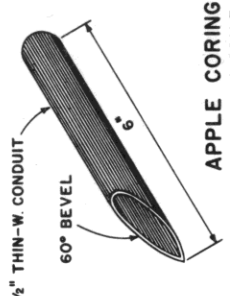
- APPLES:**
- PEEL, CORE, & SLICE IN 1/4" RINGS
 - DIP FRUIT IN BLEACHING SOLUTION* FOR 2 MINUTES.
 - PLACE PREPARED FRUIT IN LARGE PLASTIC BAG, SEAL, & REFRIG. OVER-NIGHT FOR BEST RESULTS.
 - PLACE FRUIT EVENLY IN TRAYS, & PLACE TRAYS IN DRIER.
 - SET THERMOSTAT AT 165°
 - DRY TO 15-20% MOISTURE W.B.
 - APPX. TIME REQ. TEMP. OUTSIDE AIR
- | (HRS.) | (°F) |
|--------|------|
| 10-11 | 60 |
| 9-10 | 70 |
| 7-8 | 80 |
- PEACHES:**
- PEEL, PIT, & SLICE INTO 1/4 SECTIONS
 - D. AS ABOVE
 - SET THERMOSTAT AT 145°
 - DRY TO 15-20% MOISTURE W.B.
 - APPX. TIME REQ. TEMP. OUTSIDE AIR
- | (HRS.) | (°F) |
|--------|------|
| 12-13 | 60 |
| 11-12 | 70 |
| 11-12 | 80 |

*FOR BLEACHING AGENT USE:
3 LEVEL TEASPOONS OF 60% SODIUM BISULFITE PER QT. OF WATER.

NOTE:
(INSERTED SCREEN WIRE LINING IS SUGGESTED TO REDUCE THE POSSIBILITY OF FRUIT CONTACTING GALV. HARDWARE CLOTH.)

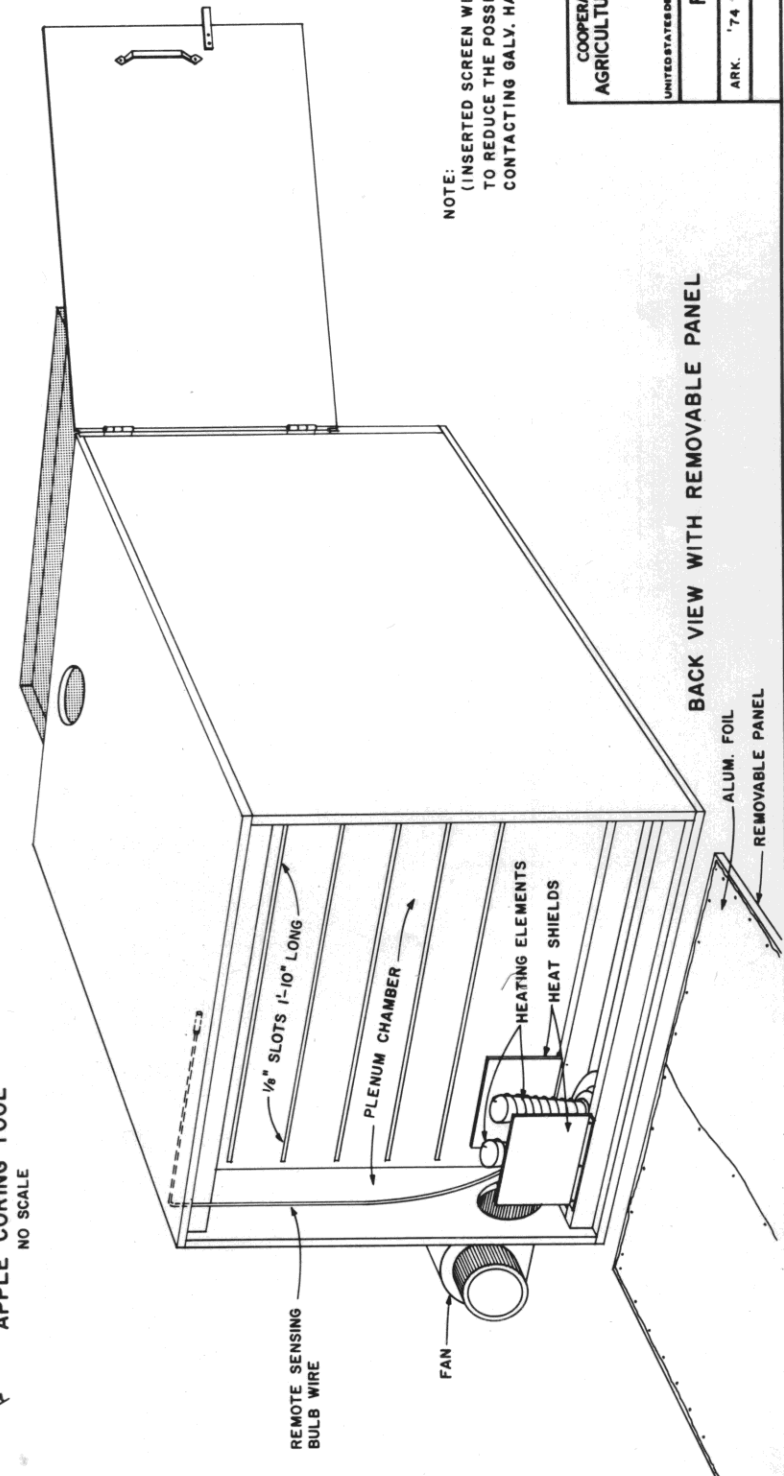


APPLE CORING TOOL

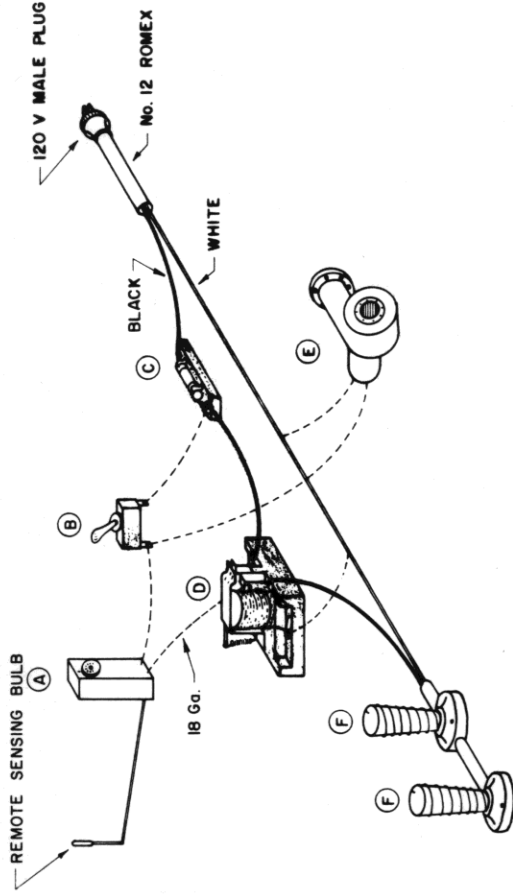


BILL OF MATERIALS

- 1-4 1/8x1/2" AC EXT. PLYWOOD
- 1-4 1/4x1/4" TEMPERED MASONITE
- 1-4 1/2x1/8 GA. -1/4" GALV. HARDWARE CLOTH
- 6-1 1/2x1/8" NO. 1 FIR
- 1/2" -44 BOX NAILS
- 12-NO. 10 WOOD SCREWS
- 1-SET 1/4" HINGES & DOOR HANDLE
- 2-1 KW-110 V. CONE TYPE HEATING ELEMENTS
- 2-110 V. SURFACE MT. PORCEL. LIGHT SOCKETS
- 1-110 V. 2870 RPM "DAYTON" MOD. #2C781 FAN W/ MOTOR
- 1-110 V. SINGLE POLE SWITCH & COVER
- 1-ELECT. SWITCH BOX
- 1-ELECT. JUNCTION BOX
- 1-55/175° F THERMOSTAT W/ REMOTE SENSING BULB
- 2-HEAT SHIELDS 16 GA. 4"x5"
- 1-4"x5" ALUM. SCREEN WIRE



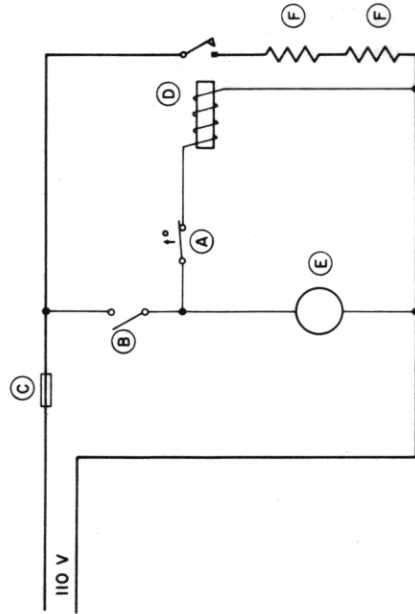
- (A) — HONEYWELL MOD. T675A THERMOSTAT, 55 / 175° F
- (B) — 120 V TOGGLE SWITCH
- (C) — IN-LINE FUSE HOLDER W/ 20 A FUSE
- (D) — DAYTON No. 5X850 RELAY
- (E) — DAYTON MOD. 2C781 BLOWER
- (F) — 1 KW - 110 V CONE TYPE HEATING ELEMENT W/ PORCELAIN BASE



ALTERNATE WIRING DIAGRAM

NOTE:

WIRING DIAGRAM SHOWN ON SHEET 3 REQUIRES A LINE VOLTAGE THERMOSTAT RATED AT 20 AMP. RESISTIVE. IF THIS TYPE OF THERMOSTAT IS NOT AVAILABLE, THE WIRING DIAGRAM SHOWN ON THIS SHEET MAY BE USED. THE OPERATION OF THIS DRYER REQUIRES A 110 V. - 20 AMP. CIRCUIT. TO PREVENT OVERLOADING OF CIRCUIT, DO NOT OPERATE DRYER ON A CIRCUIT WITH OTHER APPLIANCES.



SCHEMATIC

Information Given Herein is For Educational Purposes Only. Reference To Commercial Products Or Trade Names is Made With The Understanding That No Discrimination is Intended And No Endorsement is Implied.